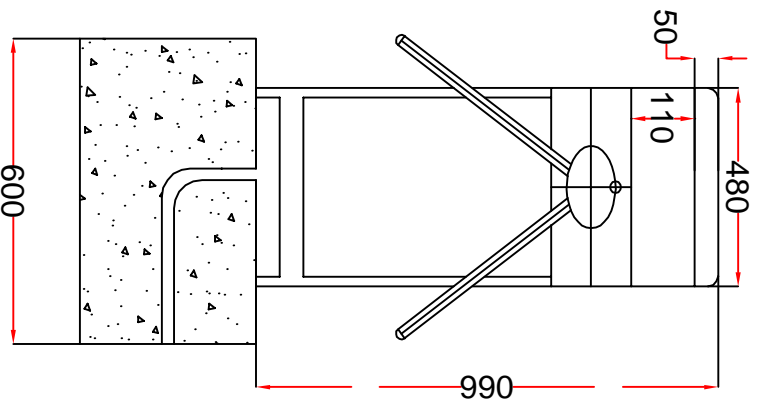
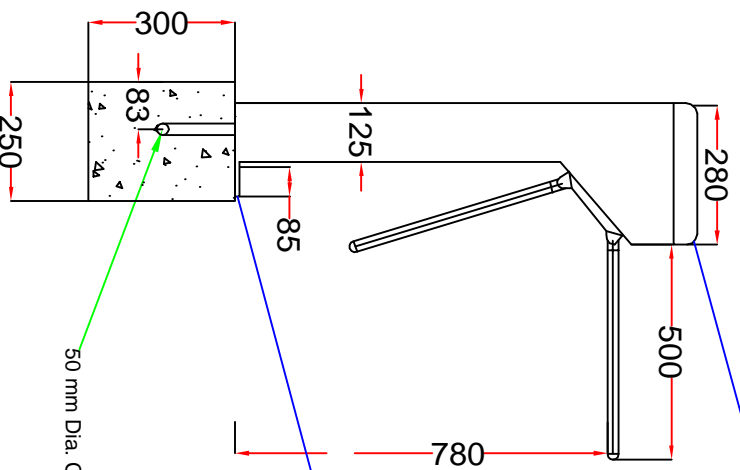


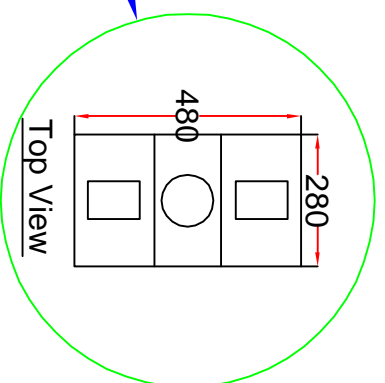
TOP VIEW



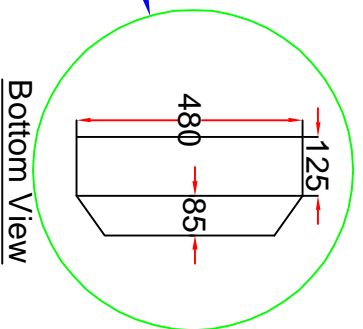
FRONT View



SIDE View



Top View



Bottom View

Note- Power Supply Need 230 V / 50-60 HZ With 5 Amp MCB. This Supply Provided By Client.

SCALE-N-TS

This drawing is the soul property of (TAS) Do not copy/reproduce /share with others without our permission.

GROUP :- One-on-one Security Turnstiles		PRODUCT :-		Half Height Turnstile		MODEL NO:- Turboo TDB-141		
REV	DATE	DESCRIPTION	DRAWN BY	APPROVED BY	DATE	DRAWN BY	CHECKED BY	APPROVED BY
00	03-10-18	ISSUED FOR APPROVAL	SOHRAB KHAN	MOHD.AMIL	03-10-18	SOHRAB KHAN	MOHD.AMIL	KAPIL SACHDEV
PRO NO :- 3825			DRAWING NO :- GA-359 (PRO3825)		Turboo TDB-141			