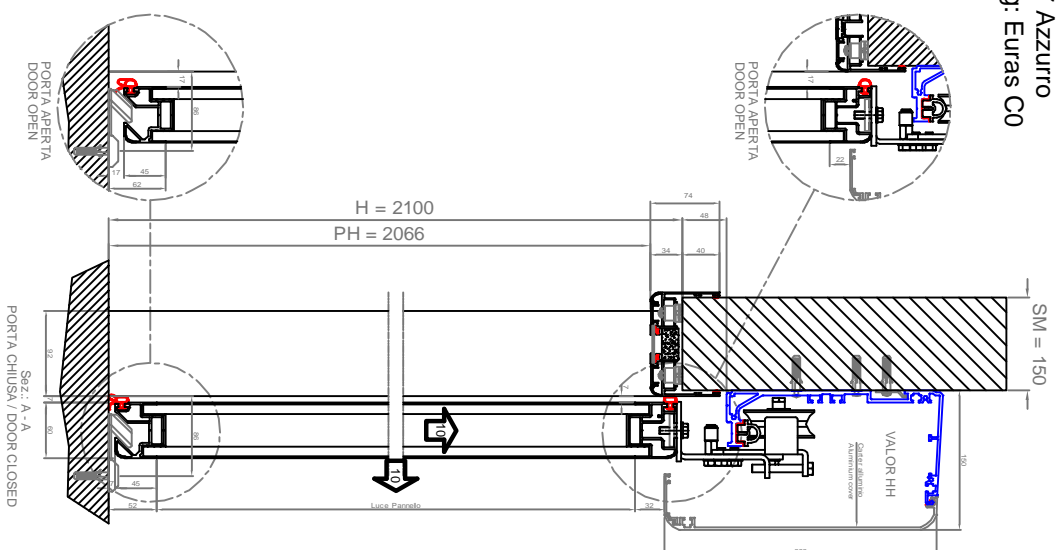
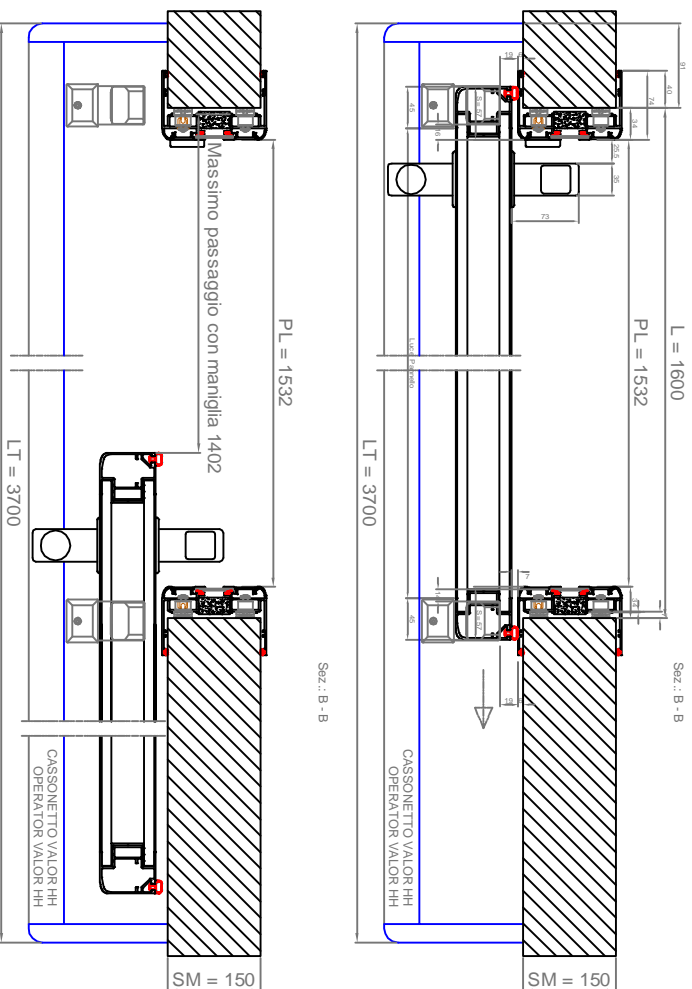
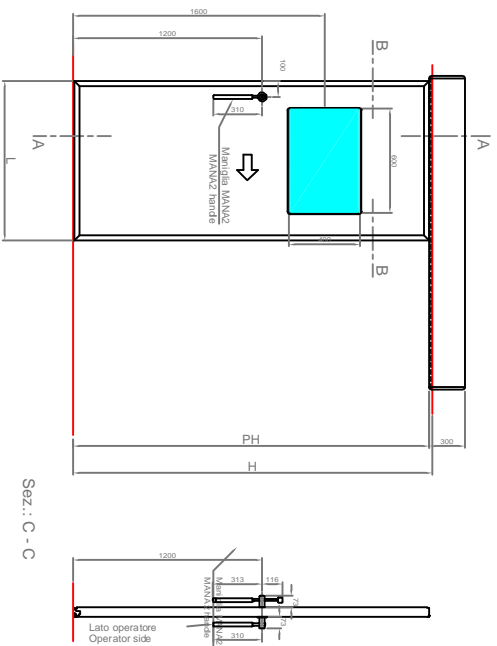


Laminated panel finishing: Abet 0847 Azzurro
 Aluminum profiles and cover finishing: Eurac C0



SCALE-N-TS

GROUP :- Automatic Entrance Doors

PRODUCT :-

Hospital Hermetic Door

MODEL NO:- HDD-PAD

This drawing is the soul property of (TAS) Do not copy/reproduce /share with others without our permission.

REV	DATE	DESCRIPTION	DRAWN BY	APPROVED BY	DATE	DRAWN BY	CHECKED BY	APPROVED BY
00	20-09-18	ISSUED FOR APPROVAL	SOHRAB KHAN	MOHD.AMIL	20-09-18	SOHRAB KHAN	MOHD.AMIL	KAPIL SACHDEV

PRO NO:- HDD

DRAWING NO :-

GA-229(PROHDD) HDD-PAD

