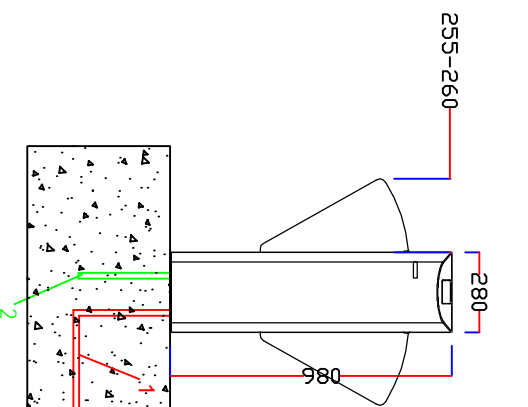


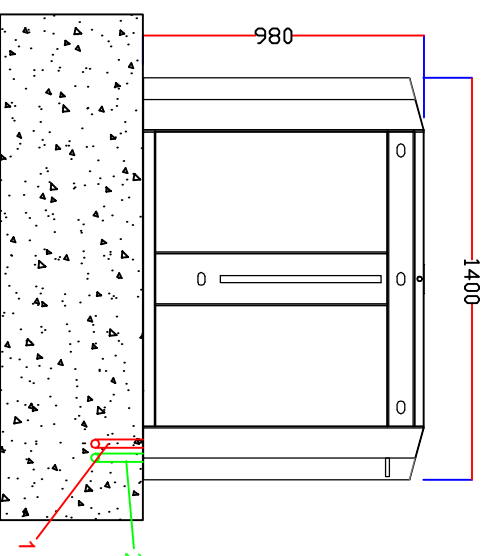
Installation Manual :

- 1 The $\varnothing 25\text{mm}$ PVC tube for AC 220V or AC 110V Power M12 ($\varnothing 9\text{mm}$) .
- 2 The tube for connecting two equipments in the same passage wire (16 X $\varnothing 0.5\text{mm}$) .
- 3 The tube for RS485 wire (2 X $\varnothing 0.5\text{mm}$) , TCP/IP wire (8 core) , Manually opening the turnstile wire (4 X $\varnothing 0.3\text{mm}$) . The signal wire length should be less than 100m
- 4 It is PCB board part .
- 5 Fixing the equipment with M12 X 90mm expansive bolt .

TOP VIEW



FRONT VIEW



SIDE VIEW

SCALE-NITS

This drawing is the soul property of (TAS) Do not copy/reproduce /share with others without our permission.

GROUP :- Smart Security Flap Barriers		PRODUCT :- Double Side Flap Barrier-Normal & Wide Lane		MODEL NO:- TDB-201-D-NW	
REV	DATE	DESCRIPTION	DRAWN BY	APPROVED BY	
00	06-10-18	ISSUED FOR APPROVAL	SOHRAB KHAN	MOHD.AMIL	
PRO NO :- 5738			DRAWING NO :- GA-378 (PRO 5738)TDB-201-D-NW		