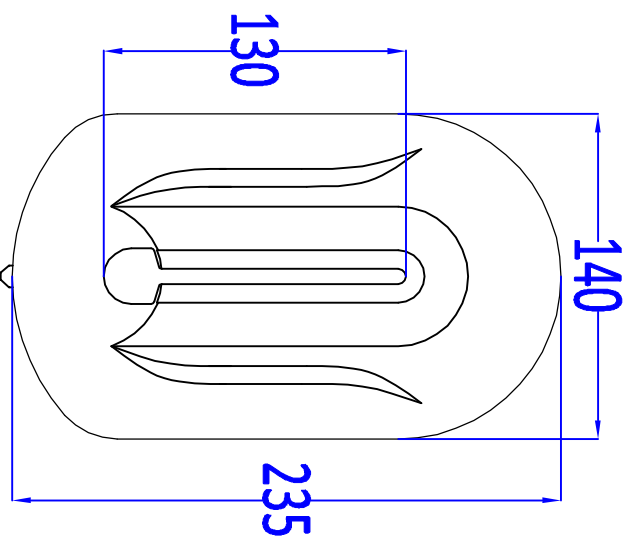
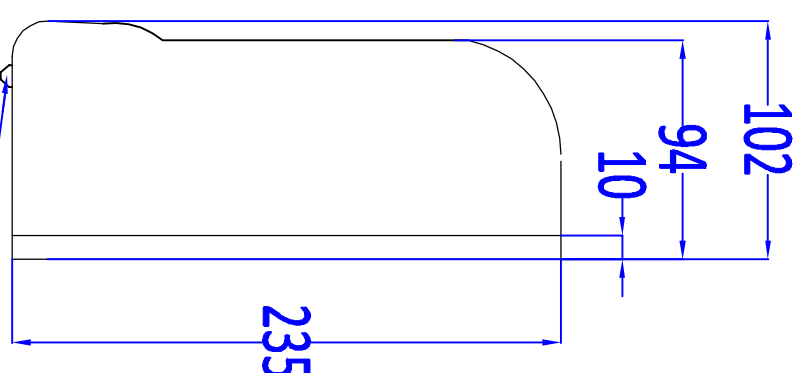


TOP VIEW



FRONT VIEW



SIDE VIEW

SOAP INJECTOR

SCALE-N-TS

This drawing is the soul property of (TAS) Do not copy/reproduce /share with others without our permission.

GROUP :-		DISPENSER/OTHER		PRODUCT :-		Auto Soap Dispenser Drop Type		MODEL NO:-		FD-1100 DA
REV	DATE	DESCRIPTION	DRAWN BY	APPROVED BY	DATE	DRAWN BY	CHECKED BY	APPROVED BY		
00	14-09-18	ISSUED FOR APPROVAL	SOHRAB KHAN	MOHD.AMIL	14-09-18	SOHRAB KHAN	MOHD.AMIL	KAPIL SACHDEV		
PRO NO:- 4243						DRAWING NO :- HA-GA-106(PRO4243) FD-1100 DA				