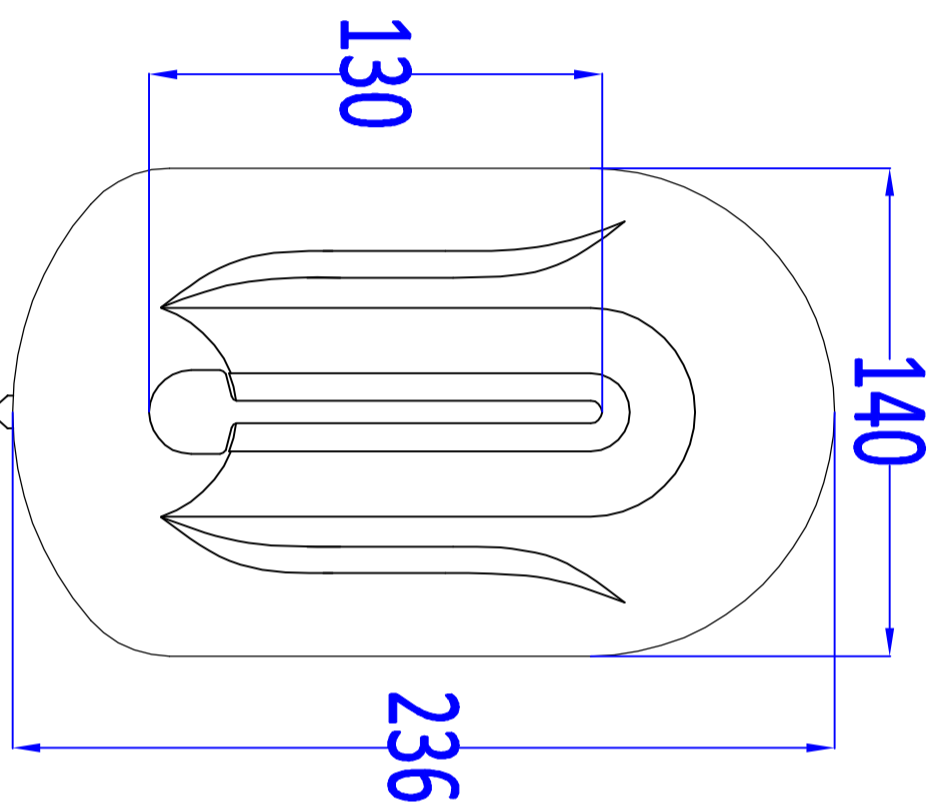
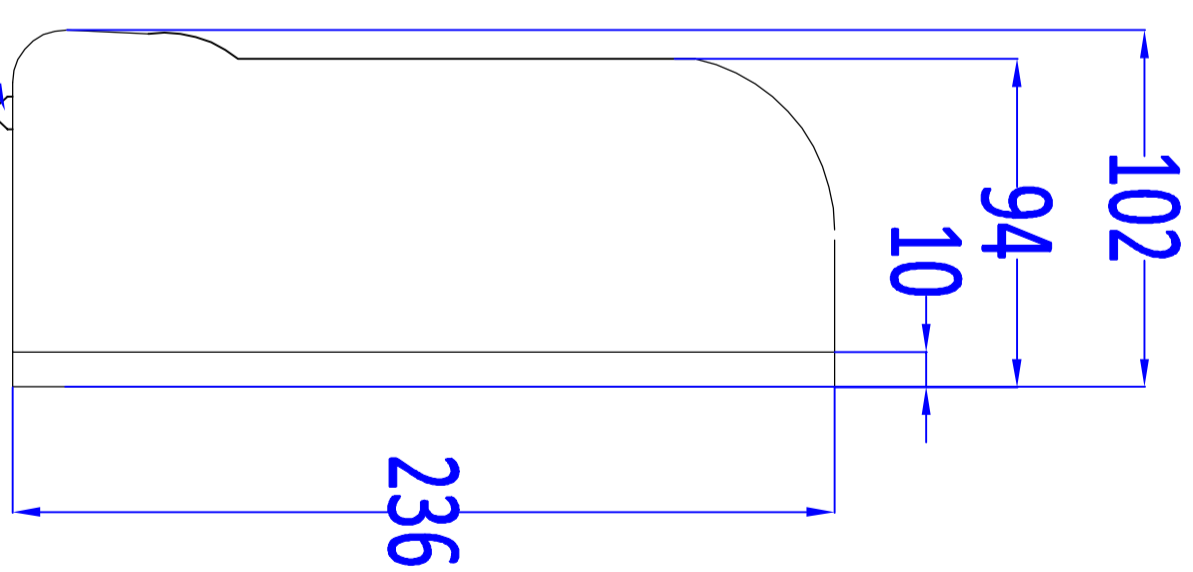


TOP VIEW



FRONT VIEW



SIDE VIEW

**SOAP INJECTOR**

**SCALE-NTS**

GROUP :- DISPENSER/OTHER

PRODUCT :- AUTO SOAP DISPENSER- SPRAY TYPE

MODEL NO:-FD-1100 DS(S)

This drawing is the soul property of (TAS) Do not copy/reproduce /share with others without our permission.

REV	DATE	DESCRIPTION	DRAWN BY	APPROVED BY	DATE	DRAWN BY	CHECKED BY	APPROVED BY
00	14-09-18	ISSUED FOR APPROVAL	SOHRAB KHAN	MOHD.AMIL	14-09-18	SOHRAB KHAN	MOHD.AMIL	KAPIL SACHDEV

PRO NO:- 27

DRAWING NO :- HA-GA-86( PRO27) FD-1100 DS(S)