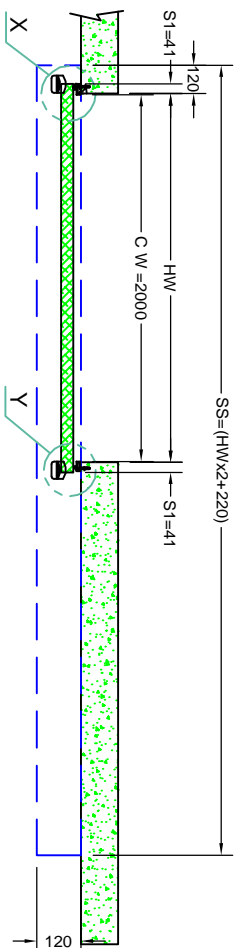
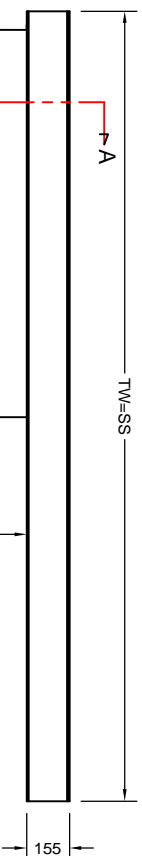


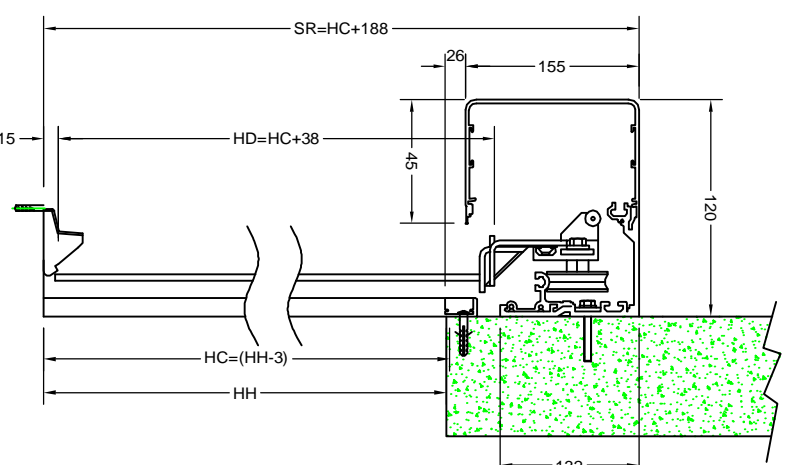
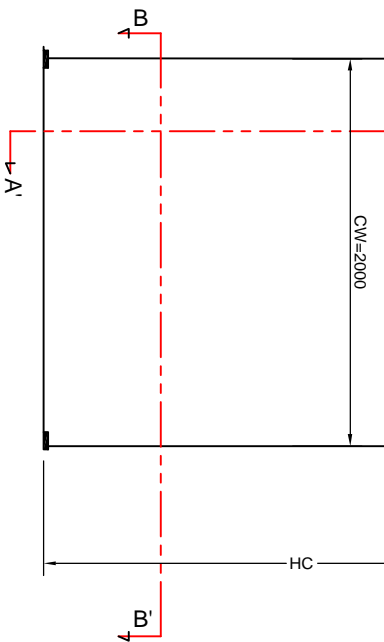
HW	HOLLOW WIDTH
FW	FREE WAY
HH	HEIGHT OF HOLLOW
SS	REQ. SLIDING SPACE
HC	HEIGHT WITHOUT CLEARANCE
S1	OVER LAP
HD	HEIGHT OF DOOR
TW	TOTAL WIDTH
SR	SPACE REQUIRED



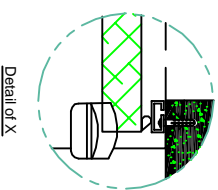
TOP VIEW



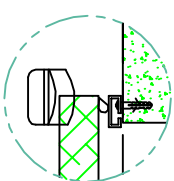
FRONT VIEW



SECTION VIEW AT A-A'
SCALE -20:1



Detail of X



Detail of Y

SCALE-N-TS

GROUP :- Parts Of Entrance Systems

PRODUCT :-

Auto Sliding Door Operator 2M

MODEL NO :- Dortex-SD-806

This drawing is the soul property of (TAS) Do not copy/reproduce /share with others without our permission.

REV	DATE	DESCRIPTION	DRAWN BY	APPROVED BY	DATE	DRAWN BY	CHECKED BY	APPROVED BY
00	15-09-18	ISSUED FOR APPROVAL	SOHRAB KHAN	MOHD.AMIL	15-09-18	SOHRAB KHAN	MOHD.AMIL	KAPIL SACHDEV
PRO NO :- 3779					DRAWING NO :- GA-126(PRO3779) Dortex-SD-806-W1-2			

