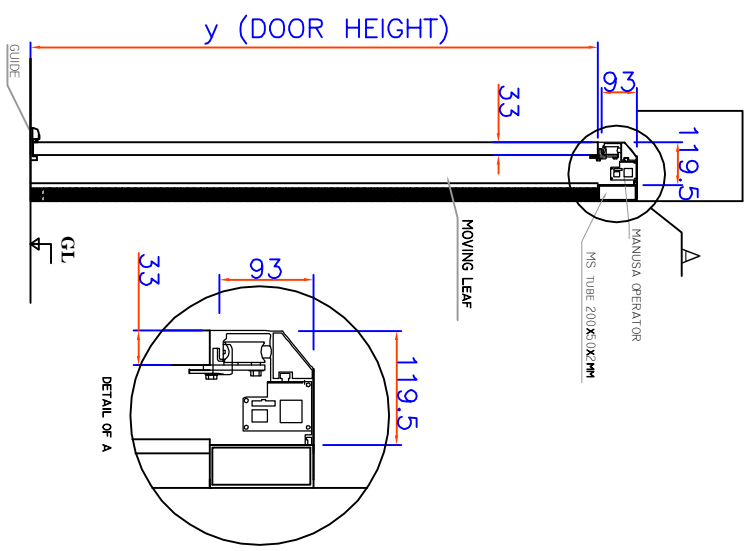
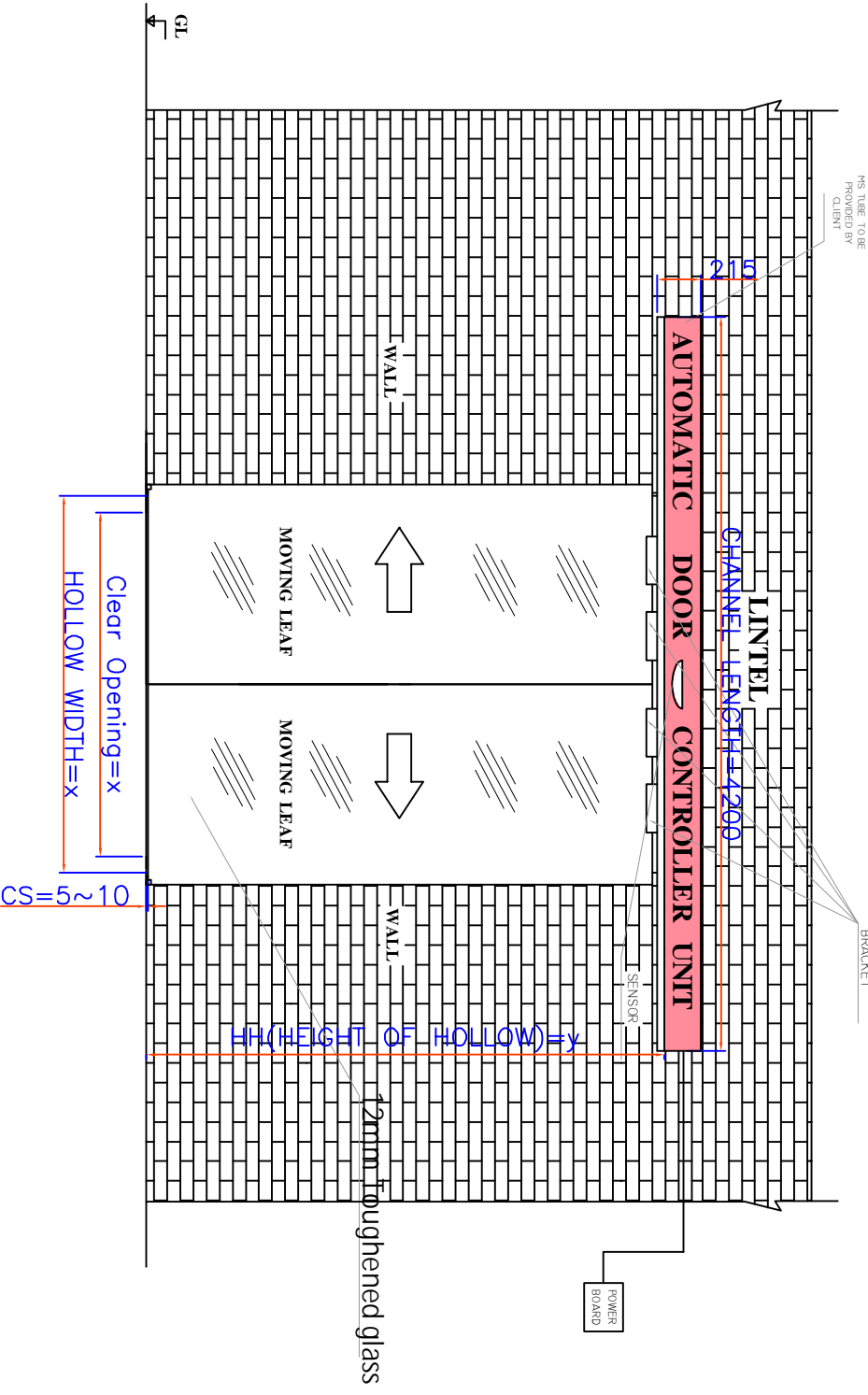




Power/Electrical Requirement	
Phase	1 ϕ
Voltage	230 V
Frequency	50 HZ
Current	Max. 5 Amp.

Sliding Door Layout			
Type	Double Leaf Automatic Door		
Motor Location	Clear Width	Clear Height	Qty.
Right Side	-



SCALE-N-TS

GROUP :- Automatic Entrance Doors

REV	DATE	DESCRIPTION	DRAWN BY	APPROVED BY
00	18-09-18	ISSUED FOR APPROVAL	SOHRAB KHAN	MOHD.AMIL

PRODUCT :- Auto Sliding Door Operator

DATE	DESCRIPTION	PRO NO.:
18-09-18	ISSUED FOR APPROVAL	4344

MODEL NO.:- Rib - 2009

DRAWN BY	CHECKED BY	APPROVED BY
SOHRAB KHAN	MOHD.AMIL	KAPIL SACHDEV

DRAWING NO. :- GA-153(PRO4344)- Rib - 2009



This drawing is the soul property of (TAS) Do not copy/reproduce /share with others without our permission.